

## QUALIKAP QKP-C

### Charged nylon 6,6 membrane capsule filters

- Positive Zeta potential
- Enhanced endotoxins retention
- Easy integrity testable in situ
- Repeatedly steamable in autoclave
- Thermowelded construction
- EC-listed materials for Food contact
- FDA-listed materials per CFR21
- Extractables as per USP for plastic materials
- Low filter extractables even with solvents



QUALIKAP QKP-C capsules are specifically designed to use the positive charged nylon 6,6 membrane. QUALIKAP QKP-C greatly interacts with the negative particles contained in the liquid in order to withhold particles smaller than the pore size. QUALIKAP QKP-C have proven to hold a great quantity of submicron particles and endotoxins.

QUALIKAP QKP-C are designed to guarantee high quality standard and results in Pharma and medical critical applications. Manufacturing is completed in a controlled environment; each filter is subject to specific tests before delivery.

#### MATERIALS OF CONSTRUCTION

<b>Membrane</b>	Positive charged nylon 6,6
<b>Upstream drainage layers</b>	Polyester
<b>Downstream drainage layers</b>	Polyester
<b>Core and Cage</b>	Polypropylene
<b>Outer Shell</b>	Polypropylene
<b>Terminals</b>	Polyester

#### FOOD-SAFETY

QUALIKAP-QKP-C capsules meet (EU) regulation 10/2011 and its subsequent amendments and regulations (EC) 1935/2004 and 1895/2005.

#### BIO-SAFETY AND EXTRACTABLES

- Materials are compliant to USP-VI CLASS toxicological requirements and USP-Plastic Materials chemical and physical requirements.
- Capsule filters meet USP "Water for injection" requirements for endotoxin and particle release.
- TOC and conductivity according to USP "Purified water" and "Water for Injection" requirements.

#### RECOMMENDED OPERATING CONDITIONS

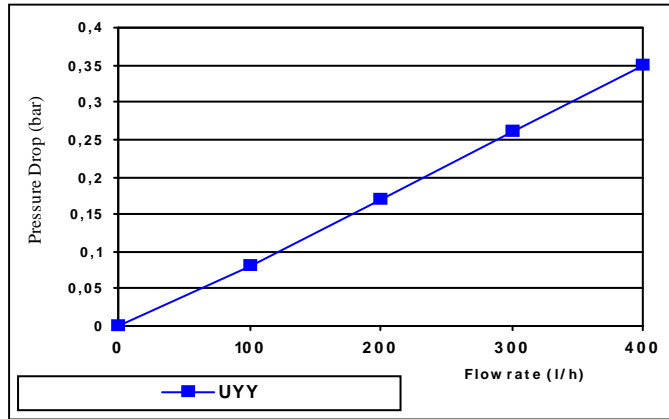
<b>- steam sterilization</b>	6 hours at 135 °C / 13 hours at 125 °C / 15 hours at 121 °C
<b>- max. pressure</b>	5 bar at 40 °C - 5,5 bar at 25 °C
<b>- chemical sanitization</b>	compatible with a wide range of sanitizers
<b>- forward flow max. differential pressure</b>	4,5 bar at 40 °C - 1,0 bar at 80 °C
<b>- reverse flow max. differential pressure</b>	3,5 bar at 40 °C
<b>- recommended pressure drop for changeover</b>	2,0 bar at 25 °C
<b>- in situ recommended flushing volume</b>	1 liter

CODE	ABSOLUTE FILTRATION GRADE IN LIQUIDS	BACTERIAL REDUCTION CHARGE >10 <sup>7</sup> CFU/cm <sup>2</sup> *	ACCEPTANCE LIMIT FOR DIFFUSION TEST (ml/min)
UYU	0,2 µm double membrane	Brevundimonas Diminuta	≤ 8.0 @ 2,1 bar

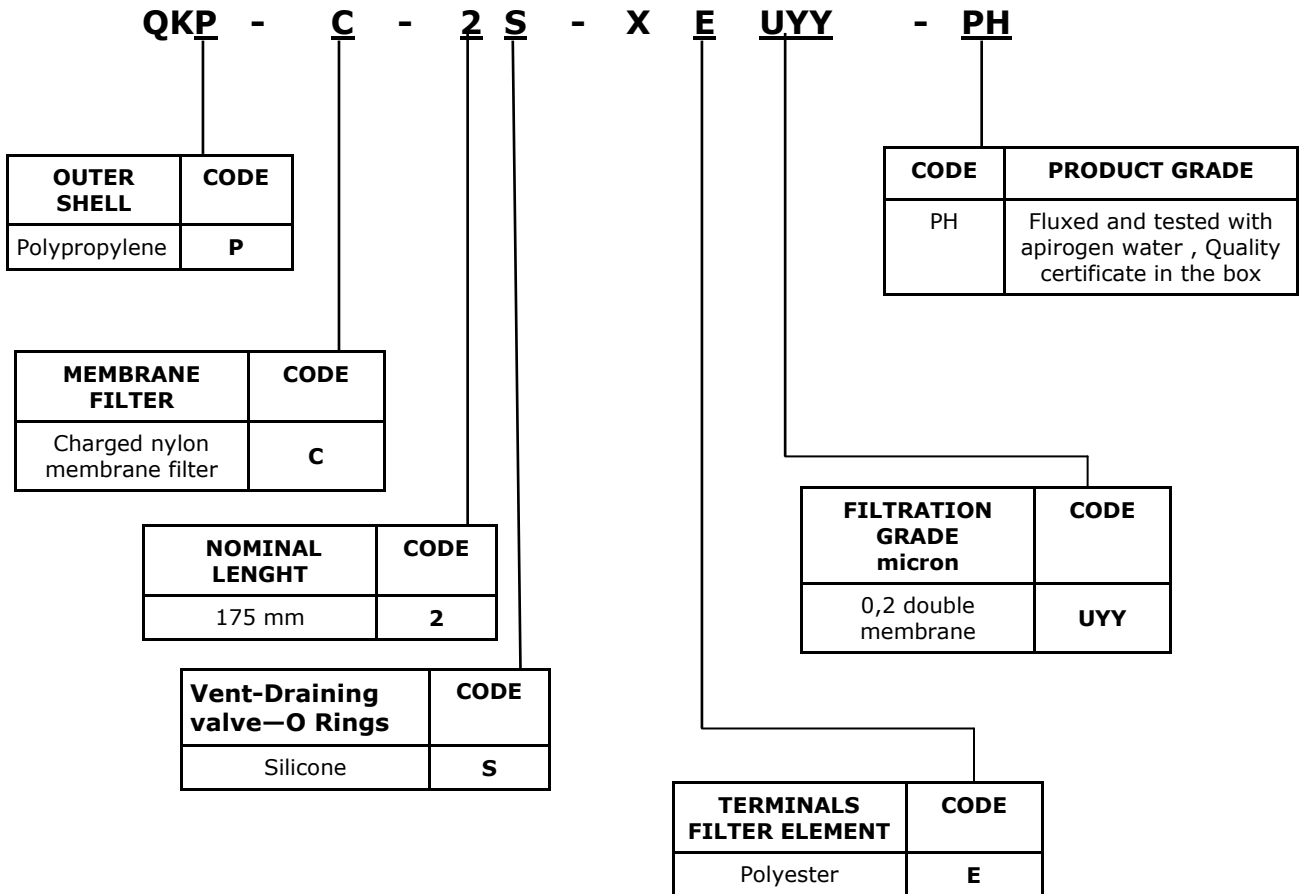
\* according to ASTM F838-15

ENDOTOXINS RETENTION 150 l/h flow rate / 10" cartridge CODE UYU	efficiency > 99,994 % GM
---	--------------------------

## WATER FLOW RATE CHARTS



## QUALIKAP QKP-C ORDERING INFORMATION



- Max diameter (valves included): 117 mm
- Tri-clamp connections 1 1/2"

Data contained in this bulletin are informative and subject to change without notice.  
 User is responsible for determining whether the product is fit for particular purpose and suitable for User's method of application.



**Bea Technologies Spa Via Newton, 4 - 20016 Pero (Milano) ITALY**  
 Tel +39 02 339271 FAX +39 02 3390713 e-mail: [info@bea-italy.com](mailto:info@bea-italy.com)  
 web: [www.bea-italy.com](http://www.bea-italy.com)